

# ***RugDoctor***<sup>®</sup>

## **Cordless Floor Cleaner User Manual**

---

Please keep this user manual for  
future reference

Model: 1093575

# Contents

---

3	Important Safety Instructions
4	Warnings and Precautions
5	Cordless Floor Cleaner Overview
6	Machine Assembly
8	Using the Machine
10	Clean Water Tank
11	Dirty Water Tank
12	Brushroll
13	Machine Stand Base
14	Cleaning and Maintenance
16	Troubleshooting
17	Product Specification and Warranty
18	Disposal
19	Rug Doctor Customer Service

# Important Safety Instructions

---

1. Read all instructions and warnings before using this appliance. Failure to follow the warnings and instructions may result in electric shock, fire or serious injury.
2. Please read this instruction manual carefully before use, properly save and store it for future use. This product is designed for home use. Do not use it for industrial and outdoor use.

## Important Battery Information

1. Use only with: T-DC53H battery pack
2. If battery leakage occurs, there is sufficient protection and the shell is made from flame retardant material

## How to replace batteries

3. This appliance contains batteries that are only replaceable by skilled persons.

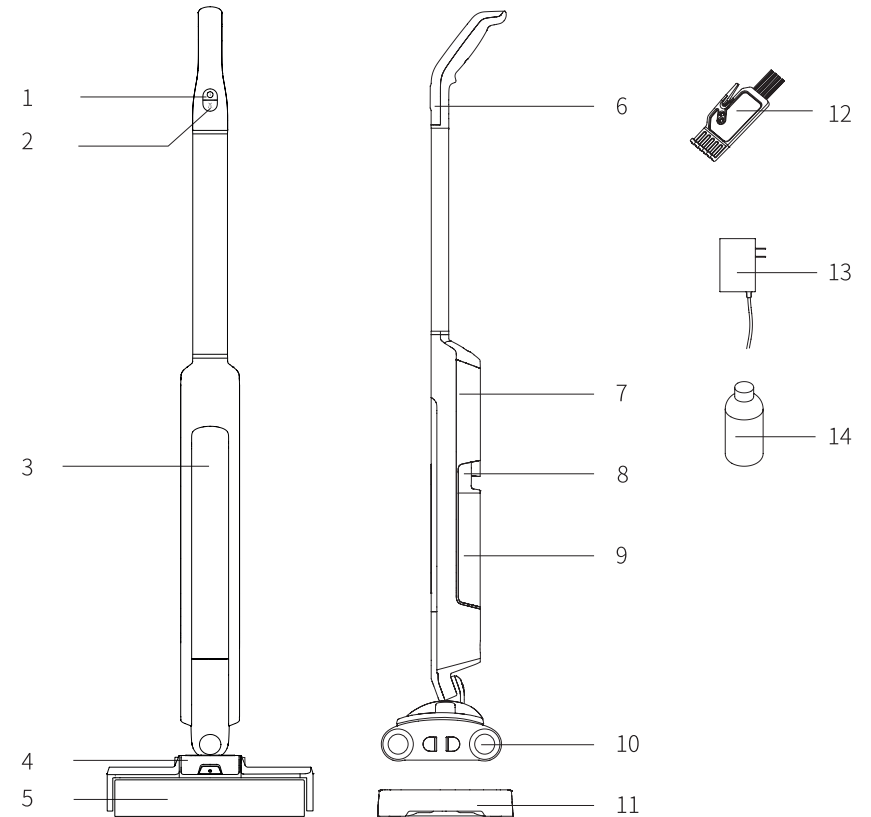
## How to deal with leaking batteries

4. Please contact Rug Doctor Customer Services UK on 01903 235558.

**! WARNING**

1. Before use the product, check whether the local voltage is consistent with the voltage marked on the power adaptor.
2. Inspect the product before use, stop use if the product or adaptor is damaged.
3. Use only as described in this manual.
4. This appliance cannot be used by children and persons with reduced physical, sensory or mental capabilities or lack of experience and knowledge unless they have been given supervision or instruction concerning use of the appliance in a safe way and understand the hazards involved.
5. Do not use this product as a toy. Keep this product away from the reach of children. Take care of children and make sure they do not regard this product as a toy.
6. Do not touch plug with a wet hand.
7. Do not use or disassemble or replace any component if there is damage on power cord, plug, battery or conductive parts. Disassembly or replacement of the components by yourself may cause electric shock or fire. Rug Doctor will not take responsibility. Once damaged, the product needs to be repaired or replaced by Rug Doctor, Rug Doctor's distributor or qualified person designated by Rug Doctor to avoid injury.
8. Recharge only with the adaptor specified by Rug Doctor.
9. Only to use the battery pack specified by Rug Doctor. Use of any other battery pack may cause explosion, injury and or product damage.
10. If the product does not operate in accordance with the instructions, is seriously impacted, falls from a height, is damaged, or falls into the water, do not use it and contact Rug Doctor.
11. Only use Cordless Floor Cleaner specified replacement parts or attachments. Rug Doctor will not take responsibility.
12. Do not use or disassemble or replace any component if there is damage on power cord or plug. Once damaged, the product needs to be repaired or replaced by Rug Doctor, Rug Doctor's distributor or qualified person designated by Rug Doctor to avoid injury.
13. Do not drag the cord or carry cord to move the product, or use cord as a handle.
14. Do not pull or press the cable. Keep cable away from heated surfaces. Do not place the cable in a closed door or pull it through a sharp edge or corner. Keep the cable away from walking areas. Do not operate product across the cable.
15. Do not use the product to pick up flammable or explosive liquids such as gasoline, or use in where these liquids or vapours may exist
16. Do not use the product to pick up burning or smoking objects, such as cigarette butts, matches, or hot ashes.
17. Do not use the product to pick up sharp objects like broken glass.
18. Do not use cleaning solution containing vinegar or acid solution, it will damage the parts and affect the use.
19. Please unplug charger when the product is long idled or before repairing.
20. Do not wash parts of or the whole product directly under the tap, this will cause a short circuit and damage the product.
21. This appliance can be used by children aged from 8 years and above and persons with reduced physical, sensory or mental capabilities or lack of experience and knowledge if they have been given supervision or instruction concerning use of the appliance in a safe way and understand the hazards involved.
22. Children should be supervised to ensure that they do not play with the appliance.
23. Cleaning and user maintenance shall not be made by children without supervision.
24. The appliance is only to be used with the power supply unit provided with the appliance.

# Rug Doctor Cordless Floor Cleaner



- |                                |   |
|--------------------------------|---|
| 1. On / off button             | 8. Clean water tank release button      |
| 2. Water spray button          | 9. Clean water tank                     |
| 3. LED screen                  | 10. Floorhead                           |
| 4. Floorhead upper cover latch | 11. Stand base                          |
| 5. Brushroll                   | 12. Mini brush                          |
| 6. Handle                      | 13. Mains adaptor                       |
| 7. Battery pack                | 14. Rug Doctor 2 in 1 Cleaning Solution |

# Machine Assembly

## Handle and Mainbody Assembly

1. Take the parts of machine out of the box.
2. Align the metal of handle with the connecting rod on the mainbody. Insert the handle vertically into the mainbody until a “click” sound is heard. (Figure 1)

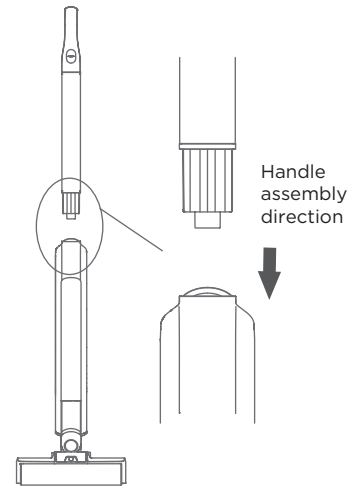


FIGURE 1

## Mains Adaptor Assembly

Take the adaptor out of the box. Insert the connector into the socket at back of body. After power plug is connected into the A/C power socket. Machine starts to charge. (Figure 2)

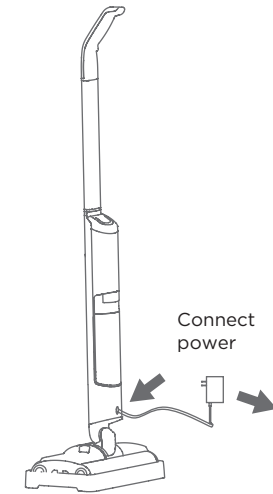


FIGURE 2

### ATTENTION

Pay attention to assembly direction of the handle, do not insert it in the opposite direction to avoid damage. Insert the handle vertically into the mainbody until a “click” sound is heard to avoid poor contact and loose handle.

### ATTENTION

When charging, do not overstretch the charger cable. This will ensure an uninterrupted charging period.

# Using the Machine

## Charging and Charging LED display

1. When LED display shows battery power less than 20%, the battery indicator turns from white to red to remind user to turn off machine and charge.
2. When charging, the display shows the percentage of battery power and battery indicator turns red. When LED display shows 100% power and the battery indicator turns from red to white, it indicates charging is completed. Remind user to unplug the power. (Figure 3, Figure 4)
3. The machine charging time is around 4.5 hours to 5.5 hours. After charging, please unplug the charger plug from power socket and stop charging.

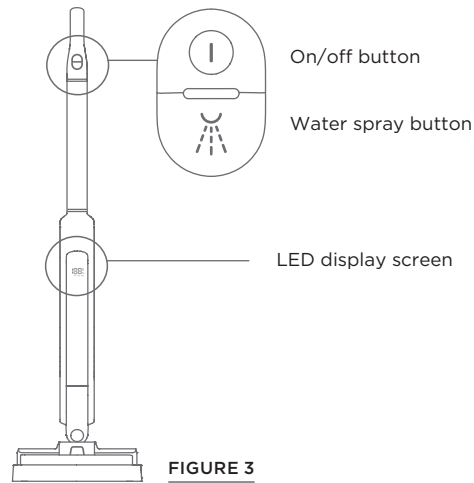
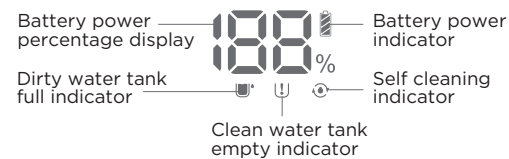


FIGURE 4



## Cleaning Floors

1. Take off floor cleaner from stand base and press on/off button, the LED screen shows percentage of battery power. The machine starts and brushroll rotates. Press on/off button again, the machine stops and screen is off.
2. Press and hold water spray button to spray water. Release water spray button and the machine stops spraying water.
3. If the buzzer sounds when pressing and holding the water spray button, and screen shows clean water empty. It indicates the clean water tank is empty refill clean water and continue use.
4. When in use, if the buzzer sounds and the screen shows dirty water full the machine automatically turns off. It indicates the dirty water tank is full and needs to be emptied, or dirty water tank wall is too dirty and needs to be cleaned.

### ATTENTION:

When using the product for the first time, battery power is insufficient and use time is not long. It can be used normally after being fully charged.

For the first three uses of product, it is recommended to charge for about 12 hours each time. After complete charging and discharging, the product can be charged normally.

### ATTENTION:

On first use, please fully charge the battery pack before cleaning.

For the first three uses of product, it is recommended to charge for about 12 hours each time. After complete charging and discharging, the product can be charged normally.

# Clean Water Tank

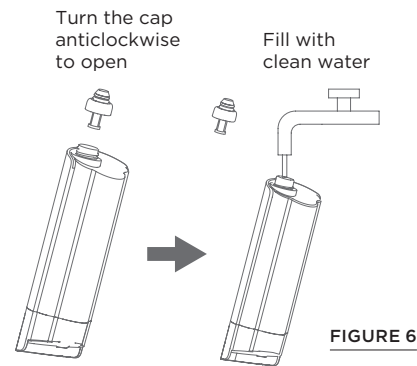
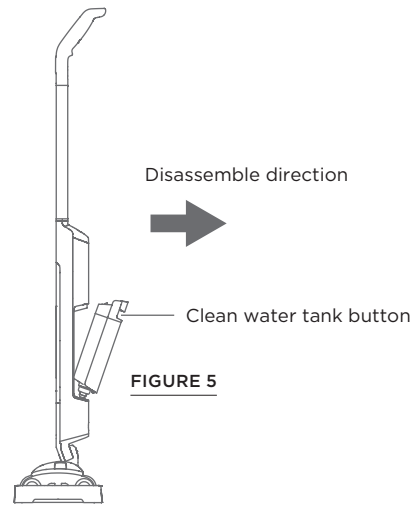
## Disassembly and Assembly of Clean Water Tank

**Disassembly:** Press the clean water tank button to take out clean water tank.

**Assembly:** Put the clean water tank cap into the round groove of machine and then press from top inward firmly. Insert clean water tank into mainbody until a “click” sound is heard. (Figure 5)

## Refilling The Clean Water Tank

1. Clean water tank button position (Figure 5)
2. Turn the clean water tank cap anti-clockwise to open and fill with clean water
3. If using Rug Doctor 2 in 1 cleaner, dilute to 50 parts water, 1 part solution.
4. Fill with clean water.
5. Turn clean water tank upside down and insert into mainbody. (Figure 6)



### ATTENTION

**DO NOT** fill clean water above the MAX line to avoid dirty water tank overflow.

If buzzer sounds when pressing and holding the water spray button it indicates that the clean water tank is empty. Follow the steps to refill the clean water tank to continue cleaning.

# Dirty Water Tank

## Disassembly and Assembly of Dirty Water Tank

**Disassembly:** Press the two upper lid latch buttons inward with two fingers to pull up floorhead cover (Figure 7). Lift up the handle of dirty water tank and remove for cleaning (Figure 7-2).

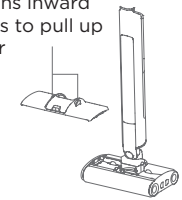
**Assembly:** After cleaning, put dirty water tank into the floorhead slot and put floorhead cover on. Press both sides of brushroll cover at the same time. The button pops up to lock upper cover until a “click” sound is heard (Figure 7-3).

## Cleaning The Dirty Water Tank

1. Remove upper cover and dirty water tank to clean floorhead base by brush.
2. Lift up the dirty water tank and turn flip handle out to empty the dirty water.
3. After cleaning the dirty water tank, place back into machine.
4. If there is debris or particles between the dirty water tank and floorhead, clean the floorhead to take off the dirty water tank. (Figure 8)

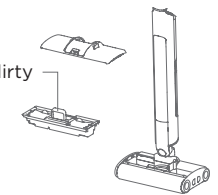
**FIGURE 7**

Press the buttons inward with two fingers to pull up floorhead cover

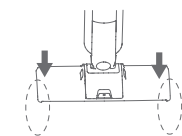


**FIGURE 7-2**

Handle of dirty water tank

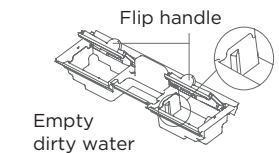


**FIGURE 7-3**



Press both sides of floorhead cover at the same time and the button pops up to lock tightly

**FIGURE 8**



### ATTENTION

It is recommended to clean the dirty water tank before every use.

If the buzzer sounds and the screen shows dirty water full, please check the dirty water tank. If full, pour out dirty water and clean dirty water tank and continue use.

It is normal to find water on the floorhead base after removing dirty water tank. Leave in a well ventilated place and allow to dry.

# Brushroll

## Disassembly and Assembly of Brushroll

**Disassembly:** Press the latch button (Figure 9) on right cover inward and pull out the right cover. Then hold the head of brushroll and pull brushroll out. (Figure 9-2)

**Assembly:** Overlap the brushroll into floorhead motor and push inward until it can't move. Then press right cover until a "click" sound is heard. (Figure 9)

FIGURE 9

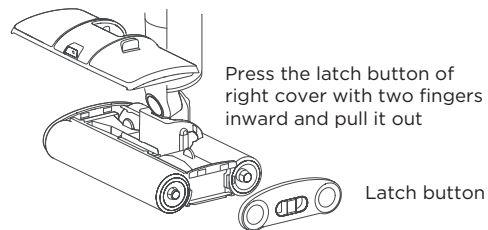
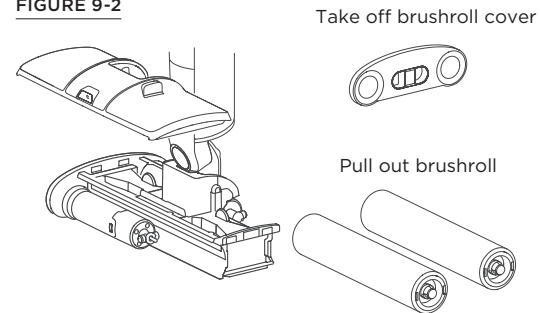


FIGURE 9-2



### ATTENTION

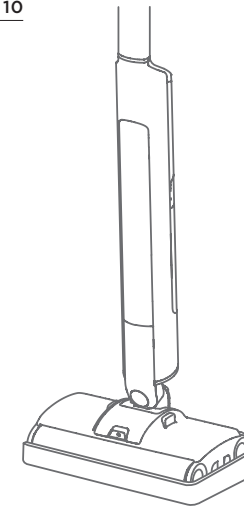
When assembling brushroll push it all the way in before attaching the right cover. If the brushroll is not in place there will be abnormal noises when the machine is turned on. Please switch off the machine immediately and reassemble the brushroll. When brushroll is rotating, if there is a large foreign object blockage or an excessive amount of entangled fibres or a child accidentally touches the brushroll the floorhead will stop working for personal safety and avoid damage to the floorhead. Please resolve blockages quickly to avoid permanent damage to the machine.

# Machine Stand

## Use of Machine Stand Base

Take out the stand base and place it on the ground. Align the floorhead with the stand base and put into the groove of the stand base until machine stands upright without toppling. (Figure 10)

FIGURE 10



### ATTENTION

When the machine is left idle for an extended period of time, place it in a cool and dry place, avoid direct sunlight or wet environment to damage hard floor.

# Cleaning and Maintenance



## WARNING

**BEFORE SELF CLEANING** empty the water from the dirty water tank.

## Cleaning Brushroll (Manual)

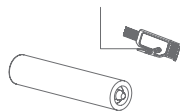
Refer to page 12 on disassembling and assembling the brushroll. After cleaning, re-assemble and continue using. (Figure 11)

## Self-Cleaning Brushroll

1. Remove clean water tank and fill with water containing cleaning shampoo to the self-cleaning water line, 260ml. (Figure 12)
2. Pour the water from the clean water tank into the stand base to ensure two slots have water.
3. Plug into the charger and put the machine on stand base.
4. Press on/off button and keep pressing water spray button for 5 seconds (indicator turns green). The brushrolls rotate and the machine starts self-cleaning mode. (Figure 13)
5. Self-cleaning mode lasts for 2 minutes, press any button to stop self-cleaning mode.
6. If foam remains on the brushroll, restart the self-cleaning mode.
7. If the brushroll is still not clean after using the self-cleaning mode twice, it is recommended that you disassemble the brushroll for manual cleaning.

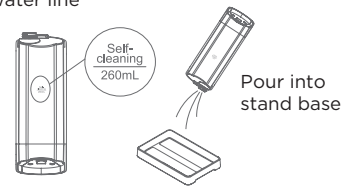
**FIGURE 11**

Slot cutter of mini brush to cut tangled hair from brushroll

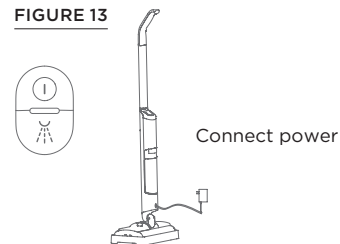


**FIGURE 12**

Fill with floor cleaning shampoo and clean water to self cleaning water line



**FIGURE 13**



## Storing The Cordless Floor Cleaner

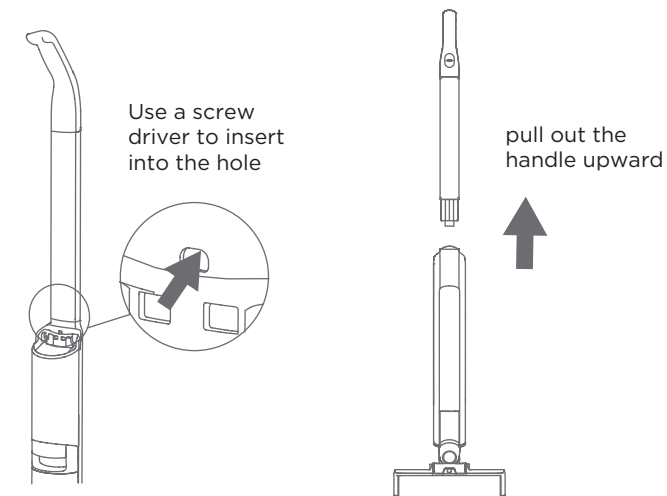
After using, place the Cordless Floor Cleaner into the stand base to prevent the wet brushroll causing damage to the floor.

It is recommended to clean the brushroll before storage, and then store it in a cool place to avoid mouldy bristles and odours that will affect the life of the brushroll.

Do not store in direct sunlight or in a humid environment.

**To remove handle:** Use a tool like a screwdriver and insert it into the hole (Figure 14) and pull the handle upward.

**FIGURE 14**



## ATTENTION

After self-cleaning the brushroll will be soaked and must be placed in a well ventilated place to dry to avoid affecting the cleaning capabilities on next used.

When the roller brush is soaked the machine cannot be used in an environment below 0°C. If the brushroll freezes the increased load will cause damage to the machine.



## Troubleshooting

Problem	Possible Cause	Solution
Brushroll does not work	Battery has no power	Charge the machine
	Brushroll is pressed by heavy objects or tangled with excessive hair.	Remove heavy objects and clean brushroll
	Motor failure	Replace motor
	Clean water tank empty	Refill clean water tank
	Object blockage	Clean the dirty nozzle, clean the dirty water tank
Full indicator lights up	Dirty water tank full or too dirty	Empty the dirty water and clean dirty water tank
Empty indicator lights up	Clean water tank empty	Fill clean water tank
Display battery power light turns red	Lower battery power	Charge the machine

If the above troubleshooting guide fails to provide a solution, please contact Rug Doctor Customer Services (UK) 01903 23 55 58 or (EIRE) 1800 93 20 96.

Available Mon-Fri 8am-6pm / Sat 9am-5pm / Sun & Bank Hols 10am-4pm \*Excl Easter Sunday, Christmas Day, Boxing Day & New Year's Day.

## Product Specification

### Cordless Floor Cleaner Technical Specification

Model number	1093575
Rated voltage	14.4V ===
Rated power	60W
Adaptor input voltage	100-240V-50/60Hz
Adaptor output voltage	17.4V === 600mA
Rated power of electric floor head	25W
Rated power of water spray pump	5W
Battery pack capacity	2500mAh
Charging time	5±0.5H

## Warranty Information

This product has a two year warranty from the date of purchase.

Excluded from the guarantee is normal wear, commercial use, alterations to the appliance as purchased, cleaning activities, consequences of improper use or damage by the purchaser or a third person, damage that can be attributed to external circumstances or caused by the batteries.

# Disposal

The machine, accessories and packaging should be sorted for environmental-friendly recycling.

## Do not dispose of the machine into household waste!

Only for EC countries: According to the European Guideline 2012/19/EU, machines that are no longer usable, and according to the European Guideline 2006/66/EC, defective or used battery packs/batteries, must be collected separately and disposed of in an environmentally correct manner.

## Battery packs/batteries:

Integrated batteries may only be removed for disposal by qualified personnel. Opening the housing shell can damage or destroy the machine.

Do not dispose of battery packs/batteries into household waste, fire or water. Battery packs/batteries should, if possible, be discharged, collected, recycled or disposed of in an environmental-friendly manner.

Subject to change without notice.



# Rug Doctor Customer Service

Comprehensive FAQ's, user guides and troubleshooting tips can be found at [www.rugdoctor.co.uk](http://www.rugdoctor.co.uk).

**Address:** Rug Doctor Consumer Support,  
Unit 29 Timberlaine Trading Estate,  
Decoy Road,  
Worthing,  
West Sussex  
BN14 8ND

**Phone:** (UK) 01903 23 55 58  
(EIRE) 1800 93 20 96

## Opening Hours:

Monday - Friday	8am - 6pm
Saturday	9am - 5pm
Sunday	10am - 4pm
Bank Holidays	10am - 4pm

\*Excluding Easter Sunday, Christmas Day, Boxing Day & New Year's Day.



***RugDoctor***<sup>®</sup>

[www.rugdoctor.co.uk](http://www.rugdoctor.co.uk)

